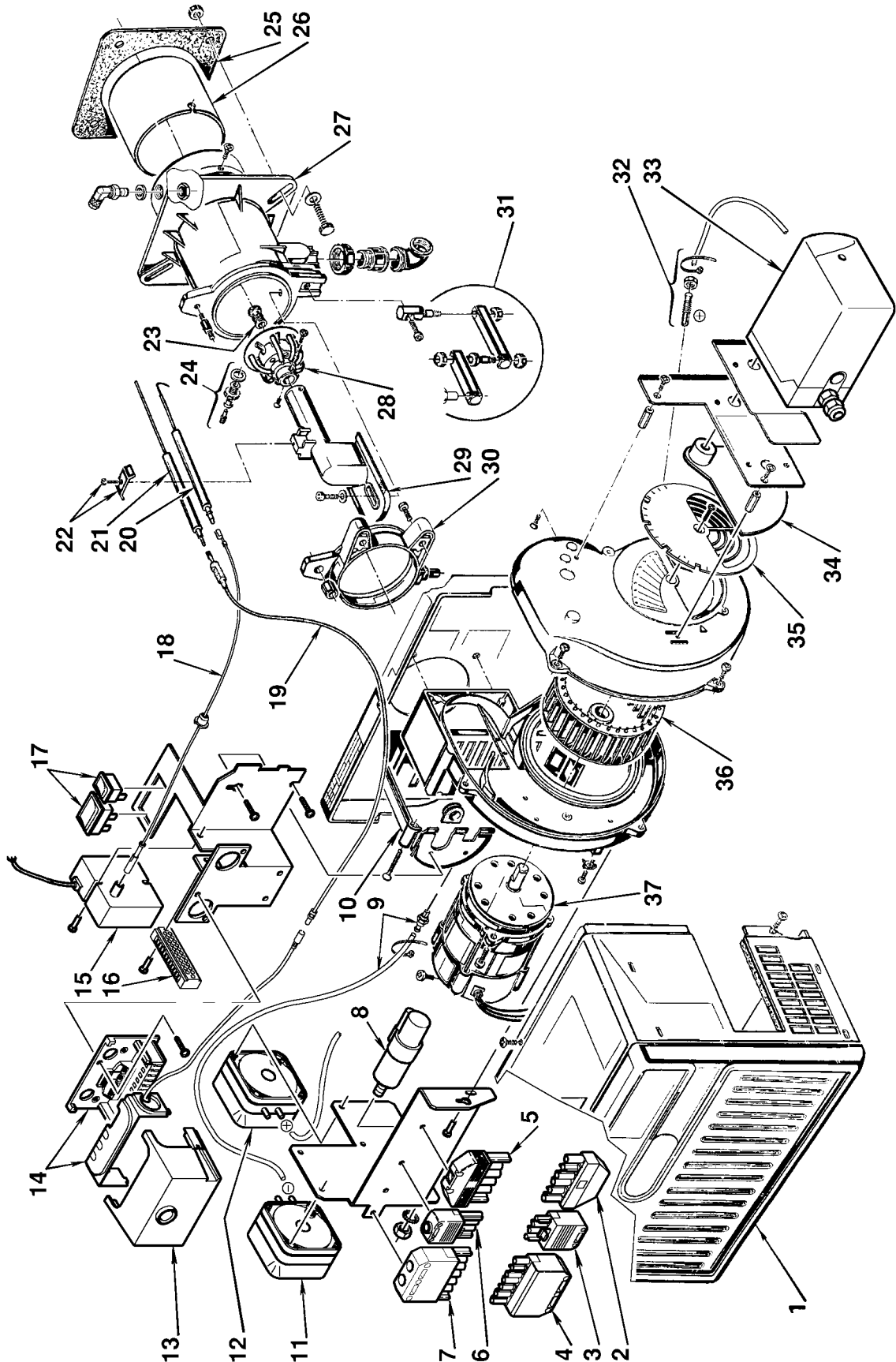


Bruciatore di gas ad aria soffiata • Forced draught gas burner • Brûleur gaz à air soufflé
Gas-Gebläsebrenner • Quemador de gas de aire soplado

RIELLO 40 GS20/M

COD. **3091960**

TIPO/TYP/TYP **1960 D**



N.	COD.	3091960	DESCRIZIONE	DESCRIPTION	DESCRIPTION	BESCHREIBUNG	DENOMINACIÓN
1	3007521	●	CARENATURA	BODY	CAPOT	VERKLEIDUNG	ENVOLVENTE
2	3007426	●	SPINA A 6 POLI	6 PIN PLUG	FICHE 6 POLES	6 - POLIGER STECKER	CONECTOR MACHO DE 6 CONTAC.
3	3006948	●	SPINA A 4 POLI	4 PIN PLUG	FICHE 4 POLES	4 - POLIGER STECKER	CONECTOR MACHO DE 4 CONTAC.
4	3002493	●	SPINA A 7 POLI	7 PIN PLUG	FICHE 7 POLES	7 - POLIGER STECKER	CONECTOR MACHO DE 7 CONTAC.
5	3007425	●	PRESA A 6 POLI	6 POLE SOCKET	PRISE 6 POLES	6 - POLIGE STECKDOSE	CONECTOR HEMBRA DE 6 CONTAC.
6	3006949	●	PRESA A 4 POLI	4 POLE SOCKET	PRISE 4 POLES	4 - POLIGE STECKDOSE	CONECTOR HEMBRA DE 4 CONTAC.
7	3006938	●	PRESA A 7 POLI	7 POLE SOCKET	PRISE 7 POLES	7 - POLIGE STECKDOSE	CONECTOR HEMBRA DE 7 CONTAC.
8	3005798	●	CONDENSATORE 4 µF	CAPACITOR 4 µF	CONDENSATEUR 4 µF	KONDENSATOR 4 µF	CONDENSADOR 4 µF
9	3006605	●	RACCORDO E TUBETTO	CONNECTOR AND TUBE	MAMELON ET TUYAU	NIPPEL UND RÖHRCHEN	RACORD - Y TUBO
10	3006998	●	COPERCHIO	COVER	COUVERCLE	DECKEL	TAPA
11	3007444	●	PRESSOSTATO	PRESSURE SWITCH	PRESSOSTAT	PRESSOSTAT	PRESOSTATO
12	3007444	●	PRESSOSTATO	PRESSURE SWITCH	PRESSOSTAT	PRESSOSTAT	PRESOSTATO
13	3002478	●	APPARECCHIATURA	CONTROL BOX	BOITE DE CONTROLE	STEUERGERÄT	CAJA DE CONTROL
14	3003596	●	ZOCOLO	CONTROL BOX BASE	BORNIER	STECKSOCKEL	ZOCALO
15	3002480	●	TRASFORMATORE	TRANSFORMER	TRANSFORMATEUR	ZÜNDTRANSFORMATOR	TRANSFORMADOR
16	3002479	●	MORSETTIERA	CONTROL BOX BASE	SOCLE	STECKSOCKEL	ZOCALO
17	3012080	●	INTERRUTTORE	SWITCH	INTERRUPTEUR	AUSSCHALTER	INTERRUPTOR
18	3007879	●	COLLEGAMENTO A.T.	HIGH VOLTAGE LEAD	CABLE HAUTE TENSION	KABEL ZÜNDELEKTRODEN	CABLES ELECTRODOS
19	3008490	●	COLLEGAMENTO SONDA	LEAD	CABLE DE CONNEXION	IONISATIONSKABEL	CABLE CONEXIÓN
20	3002482	●	ELETTRODO	ELECTRODE	ELECTRODE	ELEKTRODE	ELECTRODO
21	3002484	●	SONDA	PROBE	SONDE	FÜHLER	SONDA
22	3003409	●	CAVALLOTTO	U BOLT	CAVALIER	BÜGELBOLZEN	SOPORTE FIJACIÓN
23	3006703	●	DIFFUSORE	GAS NOZZLE	DIFFUSEUR	GAS VERTEILER	DIFUSÓR
24	3005447	●	GRUPPO MISURAZIONE	TEST POINT	PRISE DE PRESSION	MESSNIPPEL	GRUPO TOMA DE PRESION
25	3006710	●	SCHERMO	GASKET	JOINT	DICHTUNG	JUNTA AISLANTE
26	3000919	●	IMBUTO FIAMMA	END CONE	EMBOUT GUEULARD	FLAMMENROHR	TUBO LLAMA
27	3002487	●	MANICOTTO	MANIFOLD	MANCHON	GASANSCHLUSS	CUERPO BRIDA
28	3006700	●	DISTRIBUTORE - ELICA	DISTRIBUTOR-DIFFUSER DISC	DISTRIBUTEUR - ACCR. FLAMME	VERTEILER-STAUSCHEIBE	DISTRIBUIDOR - DISCO ESTABILIZ.
29	3006697	●	GOMITO	ELBOW	COUDE	SCHLITTEN	CODO
30	3006689	●	COLLARE	COLLAR	COLLIER	INNERER FLANSCH	COLLARÍN
31	3000870	●	CERNIERA	HINGE	CHARNIERE	SCHARNIEREINHEIT	BISAGRA
32	3006997	●	RACCORDO E TUBETTO	CONNECTOR AND TUBE	MAMELON ET TUYAU	NIPPEL UND RÖHRCHEN	RACORD - Y TUBO
33	3002488	●	SERVOMOTORE	SERVOMOTOR	SERVOMOTEUR	STELLANTRIEB	SERVOMOTOR
34	3002490	●	SERRANDA	AIR DAMPER	VOLET AIR	LUFTKLAPPE	REGISTRO DEL AIRE
35	3002492	●	SERRANDA	AIR DAMPER	VOLET AIR	LUFTKLAPPE	REGISTRO DEL AIRE
36	3005799	●	GIRANTE	FAN	VENTILATEUR	GEBLÄSERAD	TURBINA
37	3006566	●	MOTORE	MOTOR	MOTEUR	MOTOR	MOTOR

RIELLO

RIELLO S.p.A.
I-37045 Legnago (VR)
Tel.: +39.0442.630111
[http:// www.riello.it](http://www.riello.it)
[http:// www.rielloburners.com](http://www.rielloburners.com)